

LUME

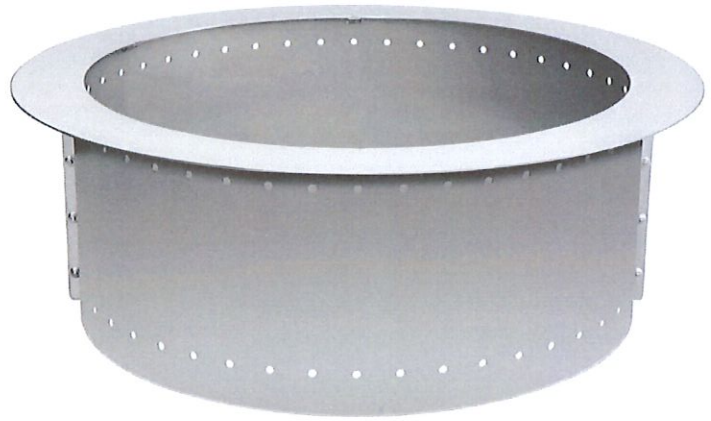
Smokeless Fire Pit

PATENT PENDING

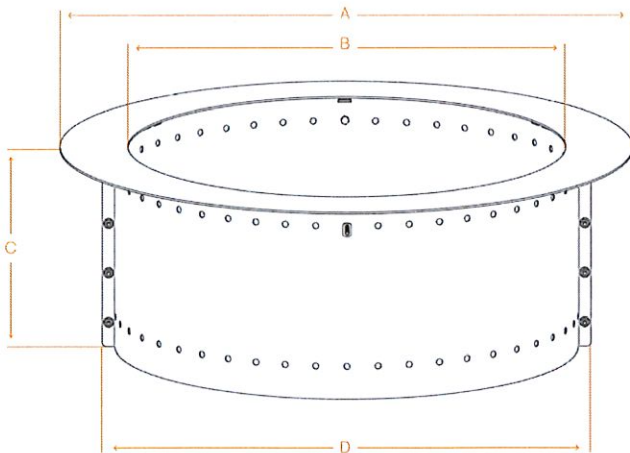
LUME-29R

LUME-34R

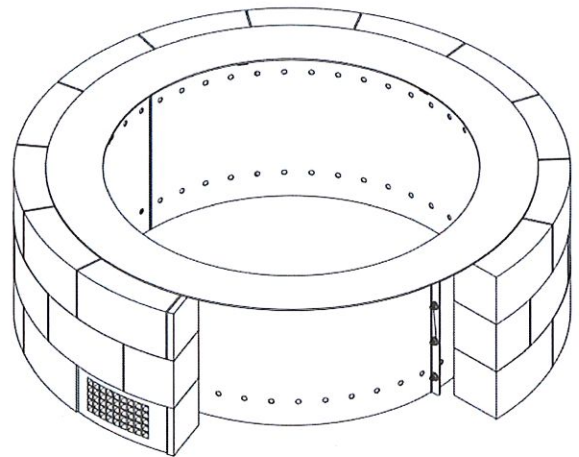
LUME-36R



Dimensions



LUME with SRW/Pavers



Material

100% Commercial Grade
Stainless Steel

Dimensions

Rim Outer Diameter (A)
Rim Inner Diameter (B)
Height (C)
Base Outer Diameter (D)

Weight

Fits Openings

	LUME-29R	LUME-34R	LUME-36R
Rim Outer Diameter (A)	34"	39"	41"
Rim Inner Diameter (B)	26"	31"	34"
Height (C)	12"	12"	12"
Base Outer Diameter (D)	29"	34"	36"
Weight	21 lbs	25 lbs	26 lbs
Fits Openings	29" - 32"	34" - 37"	36" - 39"

LUME

Freestanding Smoke-less Fire Pit

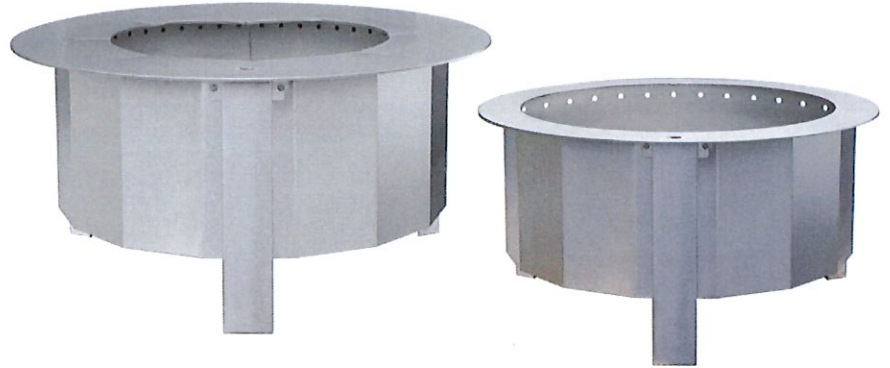
PATENT PENDING

LUME-MS1SR

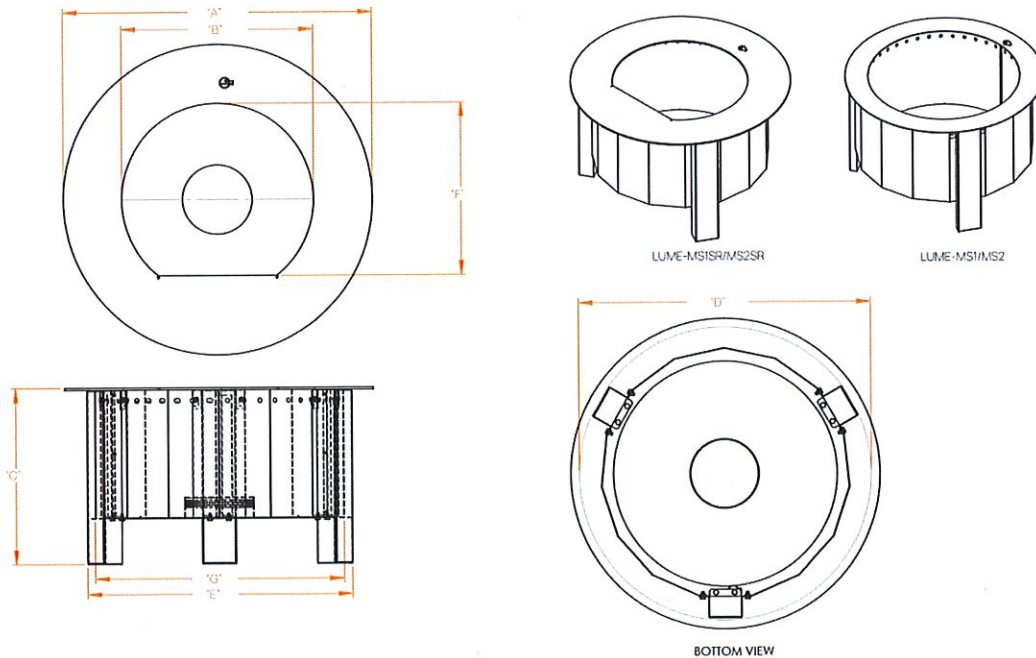
LUME-MS2SR

LUME-MS1

LUME-MS2



Dimensions



Material

100% Commercial Grade
Stainless Steel

DIMENSIONS

	LUME-MS1	LUME-MS2	LUME-MS1SR	LUME-MS2SR
Rim Outer Diameter (A)	26"	31"	29"	34"
Rim Inner Diameter (B)	20"	25"	18"	20"
Height (C)	16 3/8"	16 3/8"	16 7/16"	16 7/16"
Base Outer Diameter (D)	25 1/4"	30 1/4"	27 3/8"	32 3/8"
Dimension (E)	23 3/16"	28 3/16"	24 7/8"	29 1/8"
Dimension (F)	N/A	N/A	16 1/8"	18 1/8"
Outer Liner (G)	23 5/16"	28 5/16"	23 5/16"	28 5/16"
Weight	44.14 lbs.	55.46 lbs.	62.25 lbs.	82.18 lbs.
Fits Opening	23 1/2" - 25 1/4"	28 1/2" - 30 1/4"	23 1/2" - 27 1/2"	28 1/2" - 32 1/2"